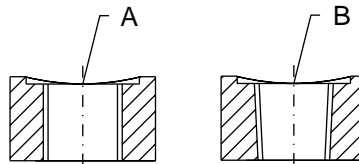
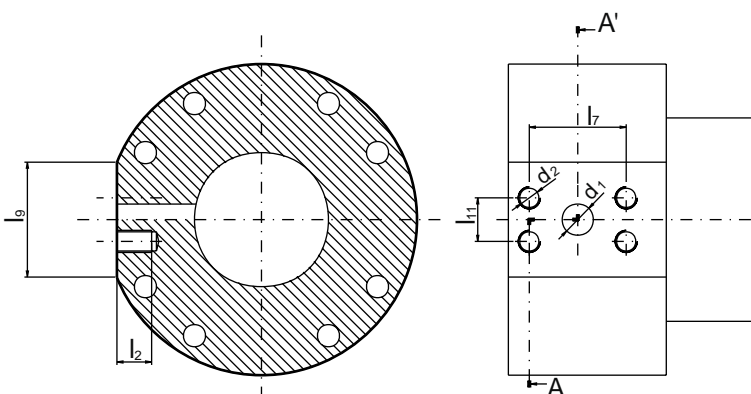




• CONEXIONES - CONECTIONS •



PISTON BORE	D	ESTANDAR		SOBRE DEMANDA / ON REQUEST		
		G GAS / BSP ISO 228/1	M METRICA METRIC	N NPT	S ISO DIS 6162.2	
		A	A	B	EE	
25	56	1/4"	12x1,5	1/4"	-	
32	67	3/8"	16x1,5	3/8"	-	
40	78	1/2"	22x1,5	1/2"	-	
50	95	1/2"	22x1,5	1/2"	-	
63	116	3/4"	27x2	3/4"	13	
80	130	3/4"	27x2	3/4"	13	
100	158	1"	33x2	1"	19	
125	192	1"	33x2	1"	19	
160	232	1 1/4"	42x2	1 1/4"	25	
200	285	1 1/4"	42x2	1 1/4"	25	
250	365	1 1/2"	48x2	1 1/2"	32	
320	450	1 1/2"	48x2	1 1/2"	32	



ISO/DIS6162.2

DN	d ₁	d ₂	l ₁ ± 0,25	l ₇ ± 0,25	l ₉	l ₂
13	13	M8x1,25	18,2	40,5	48	14,5
19	19	M10x1,50	23,8	50,8	60	16,5
25	25	M12x1,75	27,8	57,2	70	21,5
32	32	M12x1,75	31,8	66,6	78	18,5
38	38	M16x2	36,5	79,3	95	25,5
51	51	M20x2,50	44,5	96,8	114	33,5

CILCOIL, S.A. - se reserva el derecho de modificar: Técnica, material, cotas y formas sin previo aviso.

CILCOIL, S.A. - reserves the rights to modify: Techniques, materials, dimensions and shapes without prior notice.

