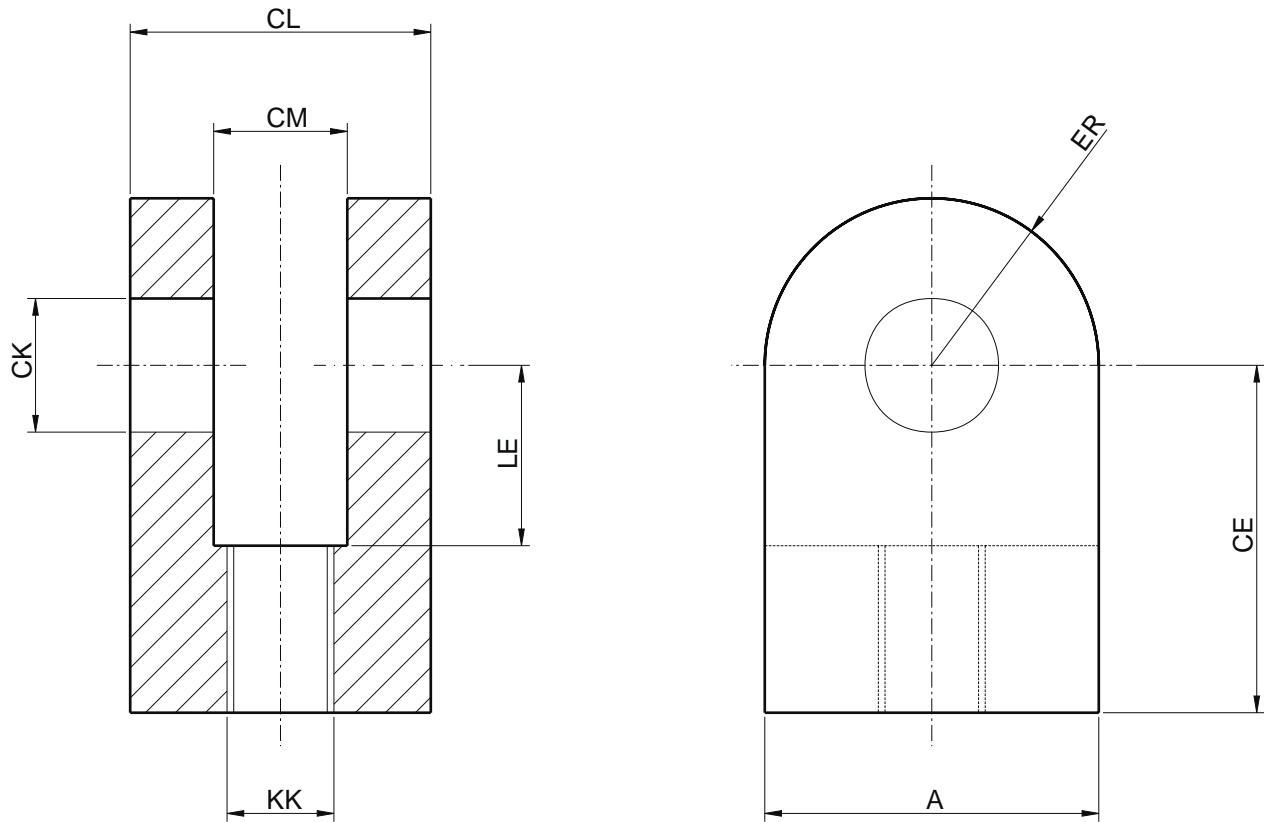




• HORQUILLA (ISO 8132) •

• ROD CLEVIS (ISO 8132) •



<b>CODIGO</b>	<b>CK<sub>H9</sub></b>	<b>CL<sub>h16</sub></b>	<b>CM<sub>A12</sub></b>	<b>CE<sub>Js12</sub></b>	<b>KK</b>	<b>LE</b>	<b>ER</b>	<b>A</b>
<b>53R025</b>	12	28	12	38	M12x1,25	18	16	32
<b>53R032</b>	16	36	16	44	M14x1,5	22	20	40
<b>53R040</b>	20	45	20	52	M16x1,5	27	25	50
<b>53R050</b>	25	56	25	65	M20x1,5	34	32	64
<b>53R063</b>	32	70	32	80	M27x2	42	40	80
<b>53R080</b>	40	90	40	97	M33x2	52	50	100
<b>53R100</b>	50	110	50	120	M42x2	64	63	126
<b>53R125</b>	63	140	63	140	M48x2	75	71	142
<b>53R160</b>	80	170	80	180	M64x3	94	90	180

CILCOIL, S.A. - se reserva el derecho de modificar: Técnica, material, cotas y formas sin previo aviso.

CILCOIL, S.A. - reserves the rights to modify: Techniques, materials, dimensions and shapes without prior notice.

