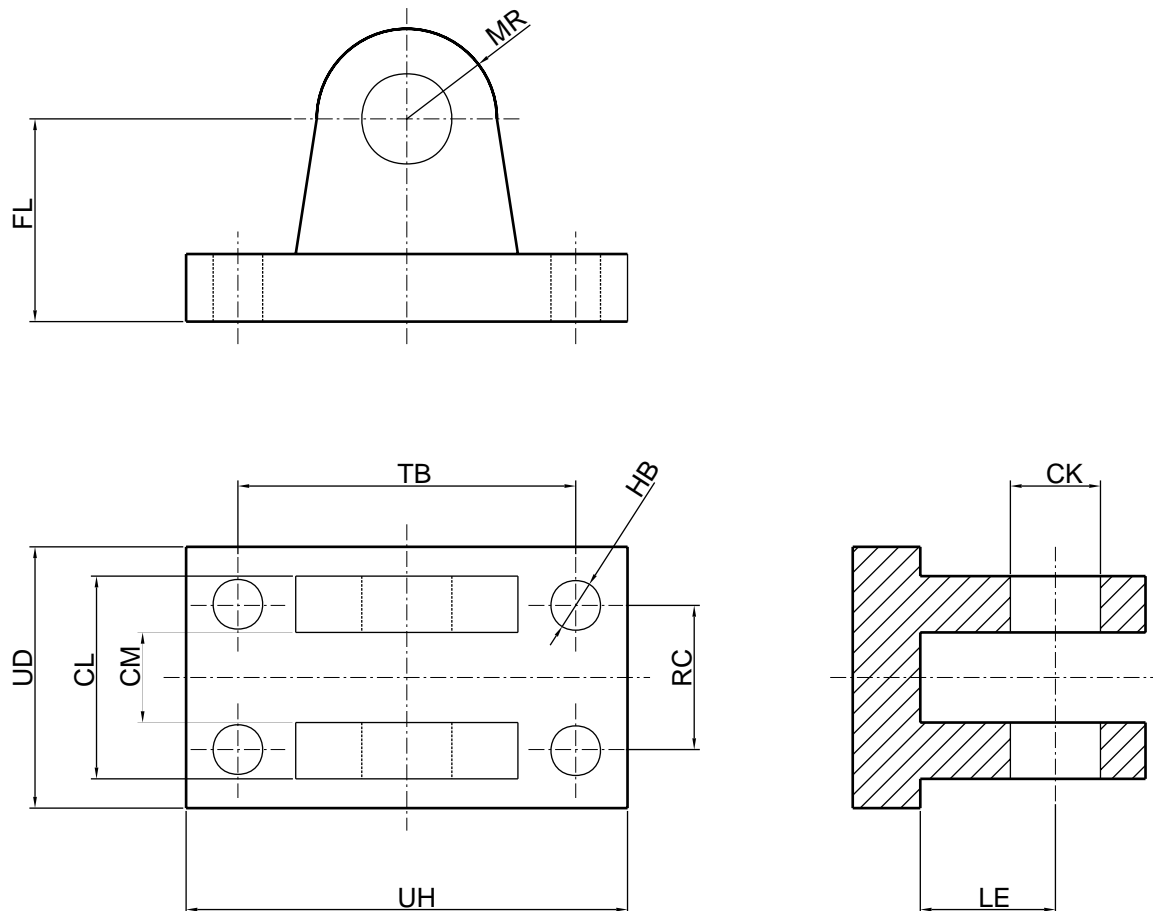




• CHARNELA HEMBRA FORMA A (ISO 8132) •
• CLEVIS BRACKET FORM A (ISO 8132) •



CODIGO	CK _{H9}	CL _{h16}	CM _{A12}	FL _{Js12}	HB _{H13}	LE	MR	RC _{Js14}	TB _{Js14}	UD	UH
55R025	12	28	12	34	9	22	12	20	50	40	70
55R032	16	36	16	40	11	27	16	26	65	50	90
55R040	20	45	20	45	11	30	20	32	75	58	98
55R050	25	56	25	55	13,5	37	25	40	85	70	113
55R063	32	70	32	65	17,5	43	32	50	110	85	143
55R080	40	90	40	76	22	52	40	65	130	108	170
55R100	50	110	50	95	26	65	50	80	170	130	220
55R125	63	140	63	112	33	75	63	100	210	160	270
55R160	80	170	80	140	39	95	80	125	250	210	320

CILCOIL, S.A. - se reserva el derecho de modificar: Técnica, material, cotas y formas sin previo aviso.

CILCOIL, S.A. - reserves the rights to modify: Techniques, materials, dimensions and shapes without prior notice.

